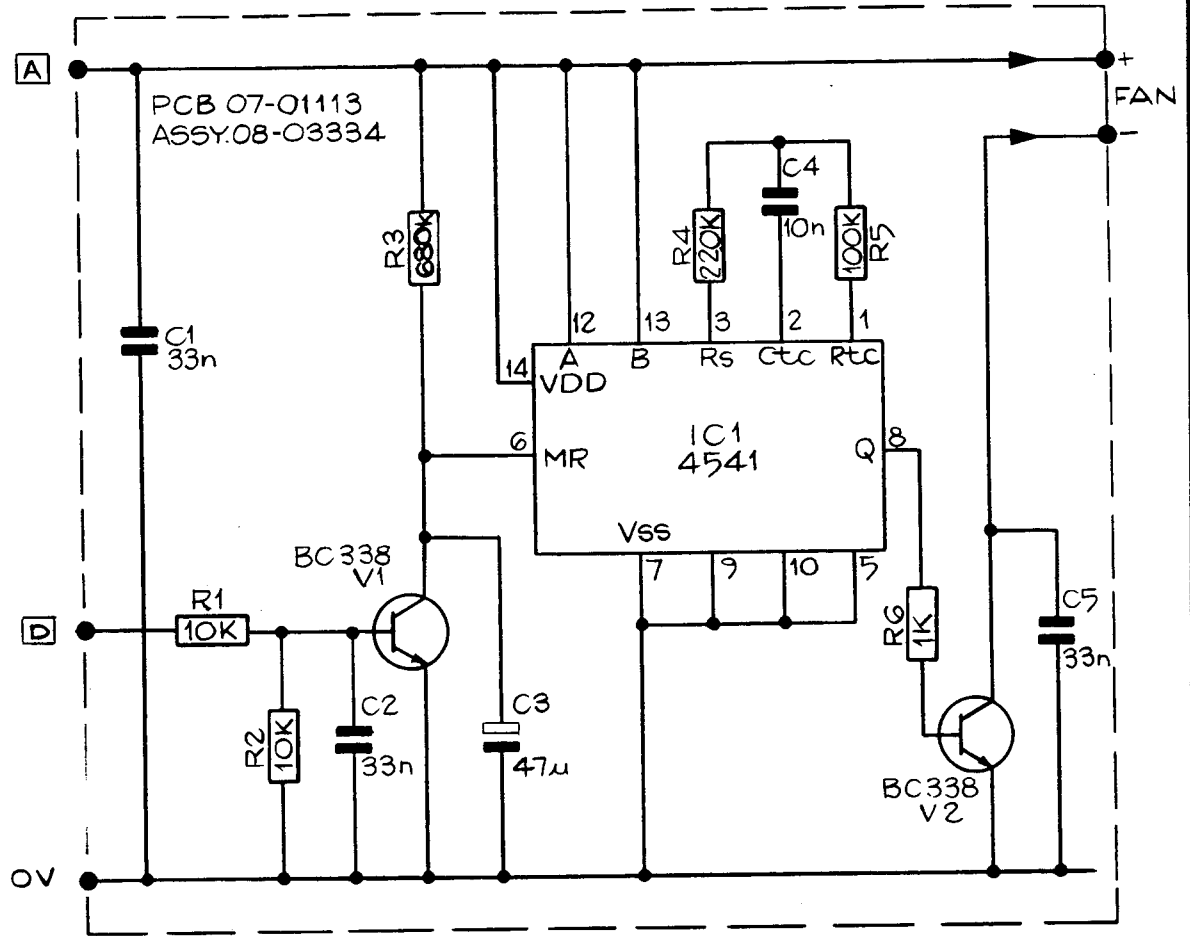


DO NOT SCALE



NOTES:

1. OSC. FREQ. ON PIN 1  $\approx$  435Hz
2. FAN WILL START AFTER 75 SECS. OF CONTINUOUS PTT OR INTERMITTENT PTT (15 SEC MAX. OFF)

ISSUE 3  
 PI DELETED  
 CIR 23836  
 4-3-94 *bl*

ISSUE 2  
 C3 WAS 2u2  
 R3 WAS 470K  
 NOTE 2 WAS  
 500ms  
 CIR 23584  
 24-2-93 *ml*

			SCALE	TITLE <b>FAN CONTROLLER</b>	COPYRIGHT © CODAN 191					
	DRN.	O.R.	DATE 7-9-88		DRAWING/DOC NO. <b>A4 04-02260</b>	ISS	1	2	3	
MATERIAL	CHKD.	<i>ml</i>	DATE 5-10-88	TOLERANCES UNLESS OTHERWISE STATED 2 PLACES DEC ± 1 PLACE DEC ± ANGULAR ±						
FINISH	APPD.	<i>ml</i>	DATE 14-9-89							